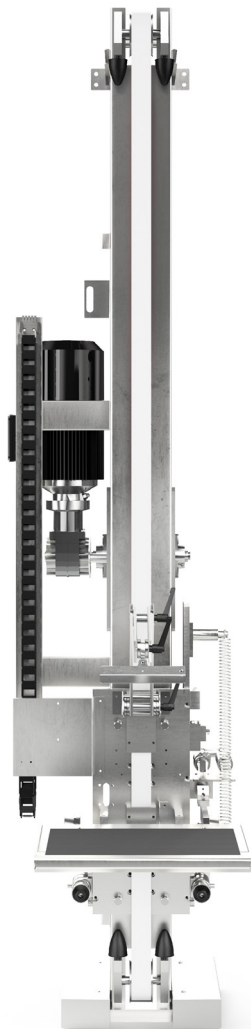


Model no. 1654

## IMPACT DROP TESTER



According to

ASTM D 2463

The test device is used for testing packaging for impact stress resistance. The packages may be tested with their contents. The packaging may consist of cans, barrels and cartons. By means of a holder placed on the platform, the test specimen can be positioned in a number of different drop angles; the downfolding speed, higher than the initial drop speed, allows to retain the specimen's desired position until impact.

## EASY AND SAFE OPERATION

- > Protection of the operator by operating the controller outside the hazardous area (e.g. behind a suitable protective wall at a safe distance from the tester frame) or outside the test room
- > Test can only be carried out when the safety door is closed (optional)
- > Acoustic signals

## RELIABLE TEST RESULTS

- > Determination of the drop height by distance measurement

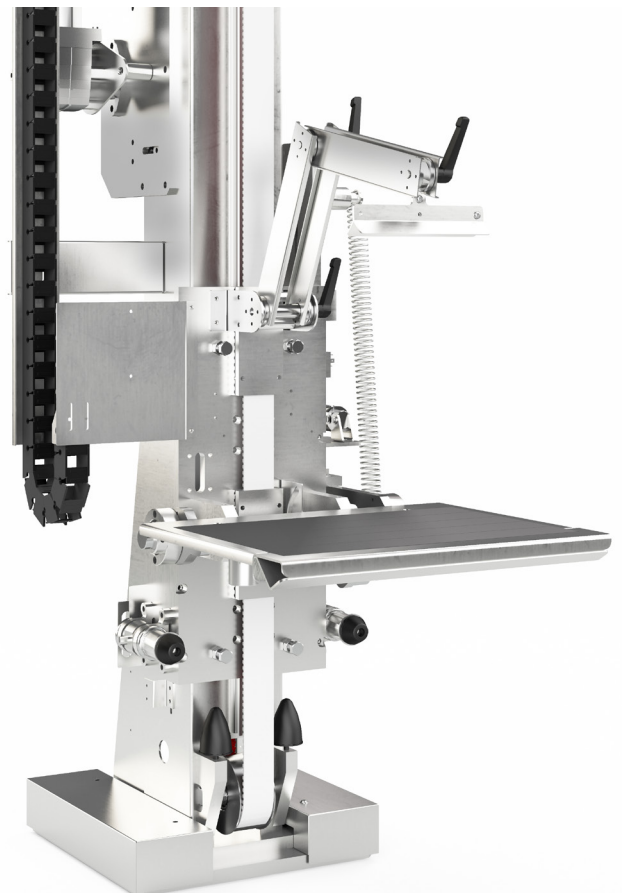
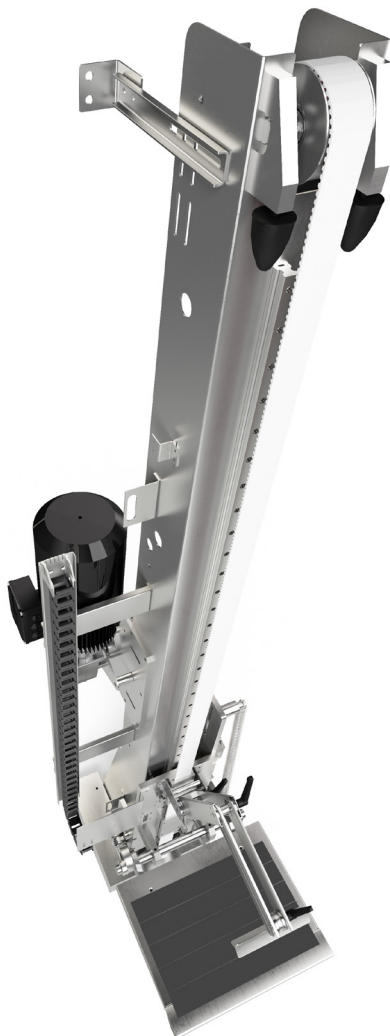
## LASTING EFFICIENCY

- > High-quality unit components guarantee high reliability, a long service life and low maintenance costs

---

## DETAIL VIEWS

---



<b>VERSION IMPACT DROP TESTER</b>		<b>V1654-0003</b>	<b>V1654-0001</b>	<b>V1654-0010</b>
Max. drop height	m	2	2.8	3
Max. weight of test sample	kg		60	
Max. lifting speed	m/s		0.1	
Accuracy of positioning	mm		± 5	
Positioning and drop		automatically		
Lowest loading position	mm		550	
Platform with mounting (width x depth)	mm		400 x 500	
Safety barrier with safety door			0	
Splash protection			0	
Impact plate, stainless steel 1000 x 1000 mm			0	
Compressed air supply (not included in scope of delivery)	bar		7 - 16	
Operation via touch-display			✓	
CE conformity			✓	
Permissible ambient temperature	°C		+5 to +30	
Permissible relative humidity	%		max. 70 non-condensing	
Noise emission	dB(A)	< 70 at rest (Noise generated on impact and fracture of the specimen)		
Width of tester	mm		600	
Depth of tester	mm		950	
Height of tester	mm	2,700	3,440	3,700
Control cabinet (W x D x H)	mm	690 x 400 x 1,100		
Weight of control cabinet	kg	90		
Voltage data		230/400 V, 50/60 Hz * other voltages		

✓ included

+ available/optional

0 eligible

- not available

\* available upon request