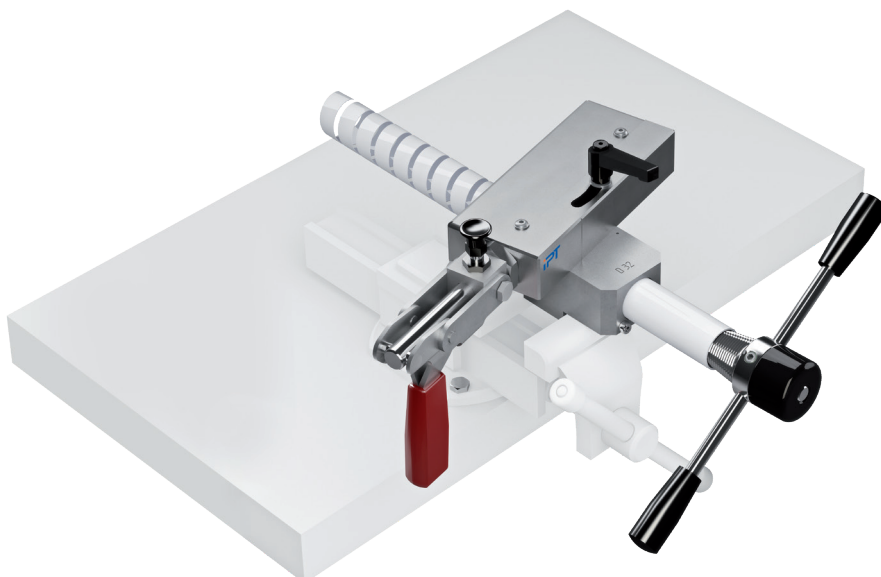


Model no. 1411

SPIRAL PIPE CUTTER



According to

DVGW W 542

ASTM F 1281

ASTM F 1282

The spiral pipe cutter is used for the preparation of samples to determine delamination between the various material layers of multilayered polyethylene pipes.

EASY AND SAFE OPERATION

> Pipe segment can be turned manually or by machine (e.g. with a cordless drill)

RELIABLE TEST RESULTS

> Angle of intersection can be adjusted to comply with DVGW and ASTM standards

LASTING EFFICIENCY

> High-quality unit components guarantee high reliability and a long service life

VERSION SPIRAL PIPE CUTTER

		V1411-0010
Mounting device for knife holder		✓
Stainless steel support cone to enable the pipe to be turned easily		✓
Clamping aid for removing the cone from the pipe		✓
Knife holder acc. to DVGW		+
Knife holder acc. to ASTM		+
Pipe guide to spiral pipe cutter for pipes with Ø 12 mm		+
Pipe guide to spiral pipe cutter for pipes with Ø 14 mm		+
Pipe guide to spiral pipe cutter for pipes with Ø 16 mm		+
Pipe guide to spiral pipe cutter for pipes with Ø 17 mm		+
Pipe guide to spiral pipe cutter for pipes with Ø 18 mm		+
Pipe guide to spiral pipe cutter for pipes with Ø 20 mm		+
Pipe guide to spiral pipe cutter for pipes with Ø 21 mm		+
Pipe guide to spiral pipe cutter for pipes with Ø 25 mm		+
Pipe guide to spiral pipe cutter for pipes with Ø 26 mm		+
Pipe guide to spiral pipe cutter for pipes with Ø 32 mm		+
Pipe guide to spiral pipe cutter for pipes with Ø 33 mm		+
Other pipe guides		*
CE conformity		✓
Permissible ambient temperature	°C	+5 to +30
Permissible relative humidity	%	max. 70 non-condensing
Width x Depth x Height	mm	309 x 105 x 190
Weight	kg	ca. 5,5

✓ included

+ available/optional

○ eligible

– not available

* available upon request